



Pressure Transmitter

MPS700



LIQUID



GAS



OVERVIEW

Operation

MPS700 series pressure transmitters are suitable for liquids, dirty fluids pressure measuring and controlling in the moderate and high viscous media, with sensor probe working very well with long term stability at the high temperature of 125°C or 300°C as optional.

Application

- Liquids pressure measuring and controlling
- chemical industry

Features

- Compact design
- Protection type IP65 or IP67 and IP68 as optional
- Corrosion resistant stainless steel design
- Wide measuring range
- Simple installation
- Various output signal
- High viscosity resistance
- Flush diaphragm

OPERATING DATA

Temperature Limit	-40...125°C -40...300°C with cooling element MPS70H
Compensated Temp. Limit	0...80°C
Stability	0.15% of FS/year
Accuracy	±0.2%, ±0.1% FS on request
Over Pressure	Full scale range up to 16 bar-2.5x Above 16 to 400bar - 2x
Repeatability	±0.05 % of Full scale

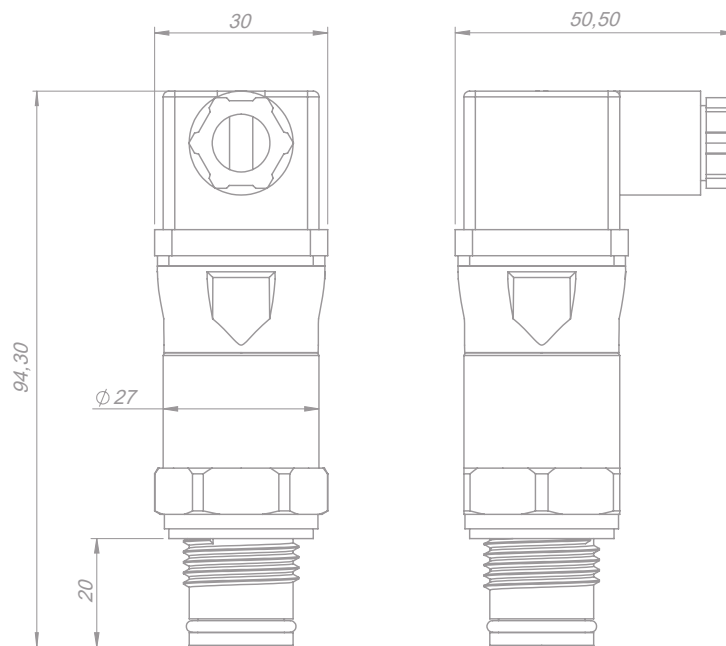
MEASURING RANGES

Max Pressure Range	0-400 bar
---------------------------	-----------

MATERIALS

Wetted Parts	AISI316L
Body Tube	AISI304
Others	On request

TECHNICAL DRAWINGS AND DIMENSIONS



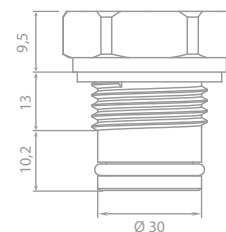
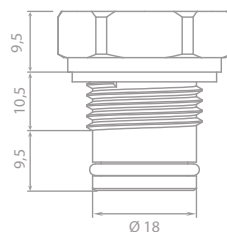
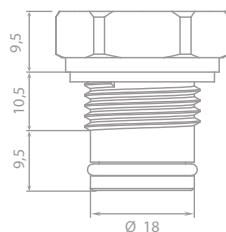
Thread

M20x1,5

G1/2

G1

Dimension
in mm Hex
27 mm



Dimension
in mm Hex
41 mm

CONNECTION

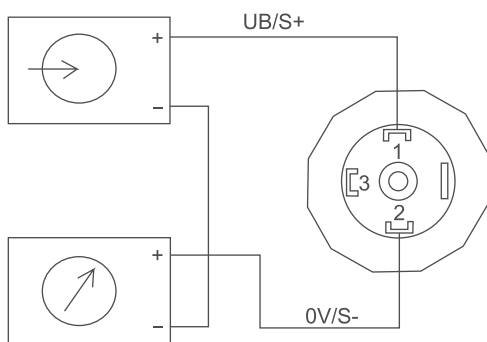
Standart

1/2", 3/4", 1" NPT or G

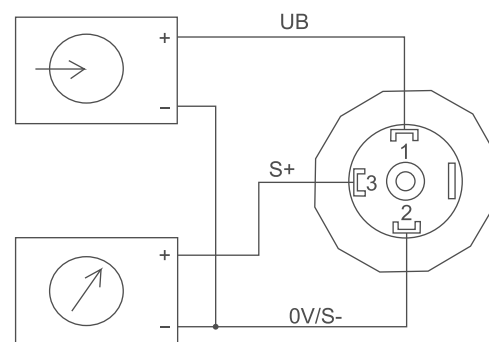
ELECTRICAL DATA

Output	2 wires, 4-20 mA
Power Supply	10-36 VDC power
Option	0-5 VDC or 0-10 VDC Supply should be 14 VDC min
Electrical Connection	DIN 43650A or cable connection
Enclosure	IP65, IP67 on request

WIRING



4-20 mA, 2 wires



0-10 VDC

MEASURING RANGES

Code	Range	Code	Range	Code	Range
001	0...25 mBar	009	0...1 Bar	017	0...40 Bar
002	0...40 mBar	010	0...1,6 Bar	018	0...60 Bar
003	0...60 mBar	011	0...2,5 Bar	019	0...100 Bar
004	0...100 mBar	012	0...4 Bar	020	0...160 Bar
005	0...160 mBar	013	0...6 Bar	021	0...250 Bar
006	0...250 mBar	014	0...10 Bar	022	0...400 Bar
007	0...400 mBar	015	0...16 Bar		
008	0...600 mBar	016	0...25 Bar	XXX	Special Ranges

ORDERING

MPS700					Pressure Transmitter
Output	420				4-20 mA
	010				0-10 VDC
	421				4-20 mA+ HART
Measuring Range		XXX			Please see "Measuring ranges table"
Measuring Type			01		Relative
			02		Absolute
Process Connection			01		G 1/2"
			02		1/2" NPT-M
			03		G 3/4"
			04		3/4" NPT-M
			05		G 1"
			06		1" NPT-M
Electrical Connection				DIN	DIN 43650A
				010	Cable length 10m
Hazardous Area				N	None
				Xi	II 1/2G Ex ia IIC T4 Gb(Ga)

